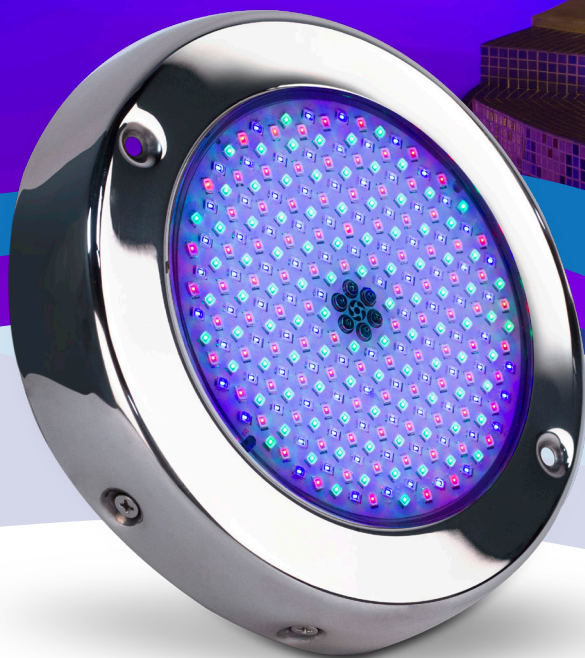




# 170s

Stainless-Steel  
LED Underwater Light

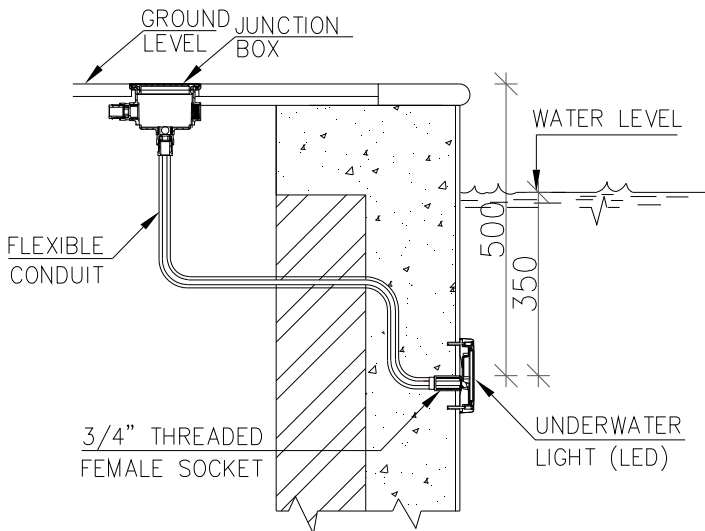


## INSTALLATION MANUAL



**Professional**  
POOL PRODUCTS

## INSTALLATION

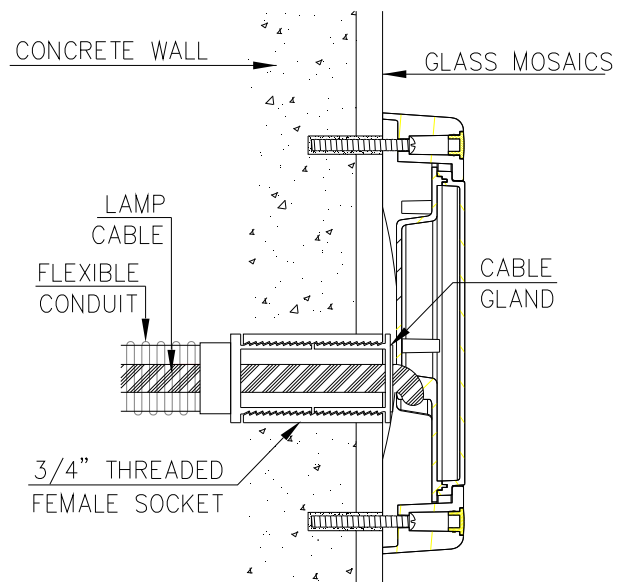


1. All lamps should be placed on the wall of the pool at approximately 500mm below the water surface, in areas that are easily accessible from the upper edge of the pool.
2. It is highly recommended to use the underwater cable gland (provided).
3. All lamps should be installed on the same transformer and switch.
4. The lamp is supplied with 4m of cable, making it possible to install multiple lamps connected to a single junction box.

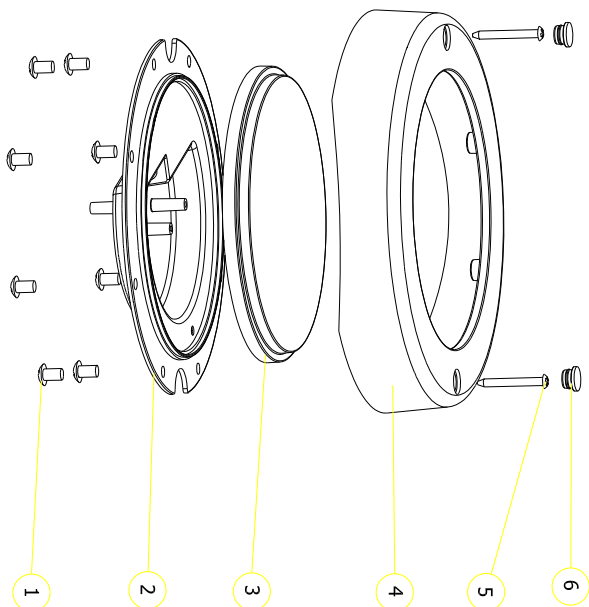
Prior to concreting, place a 3/4" threaded female adaptor 500-700mm below water surface level, making sure the face of the adaptor is fixed flush against the future finished wall level of your pool interior. This socket will be used for fixing the underwater gland (provided) for a watertight installation.

Pass the electrical cable through the gland assembly, into the adaptor/conduit, up until it reaches the junction box located on the deck. Now you may fully tighten the seal nut into the gland while keeping approx 45cm of cable free, which can easily be wound behind the lamp during installation.

Place the lamp over the desired location, mark the holes, drill with a 6mm Ø bit, insert the two anchor plugs, wind the cable behind the lamp, fasten using the two stainless steel screws provided and plug these holes using the rubber inserts.



## PARTS LIST



Sr.	Description	Material	Qty
1	Screw M5 x 10mm	SS 316	8
2	Housing (C)	PC	1
3	Housing (B)	PC	1
4	Housing (A)	PC	1
5	Screw M3.5 x 30mm	SS 316	2
6	Inserts	PVC	2