



RC04

Step-Down Transformer
+ Receiver



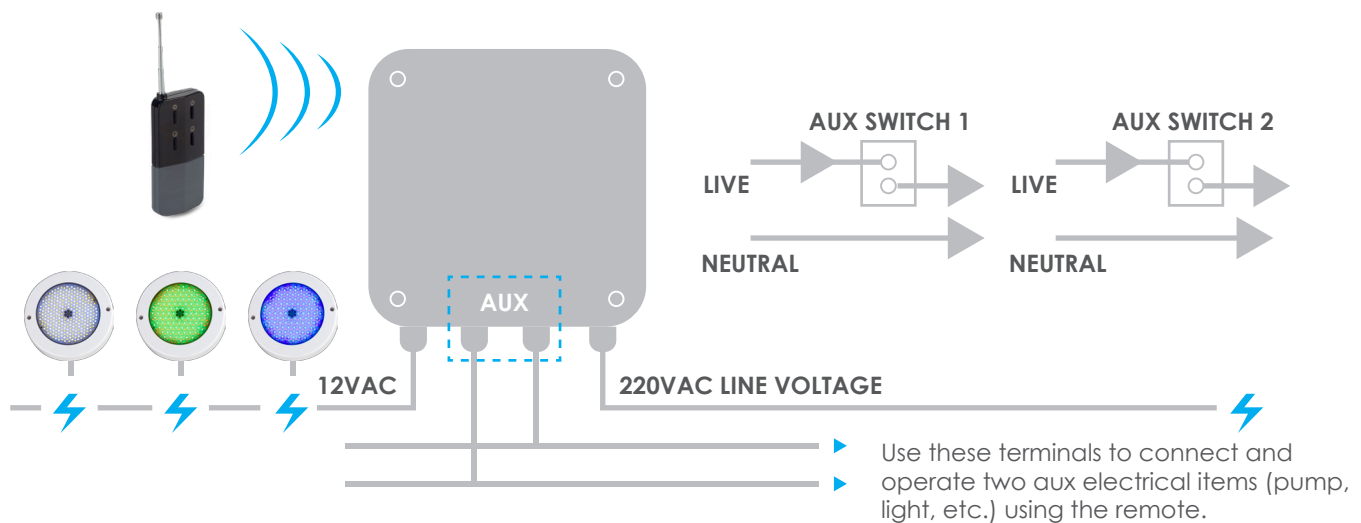
INSTALLATION MANUAL



Professional
POOL PRODUCTS

INSTALLATION

AUX TERMINAL CONNECTION DETAILS:



1. Prior to commencing, make sure there is no electricity passing through the wires and cables to be connected.
2. Mount the transformer on a solid and secure wall at a minimum distance of 2 meters from any water source or pipes.
3. Connect the 220V input voltage into the terminals clearly marked as 220V AC SUPPLY
4. Connect the lamp cables to the terminals clearly marked as LAMP 12VAC
5. Connecter, and that it is functioning.
6. It is essential to make sure the connections are as tight as possible in order to avoid sparking.